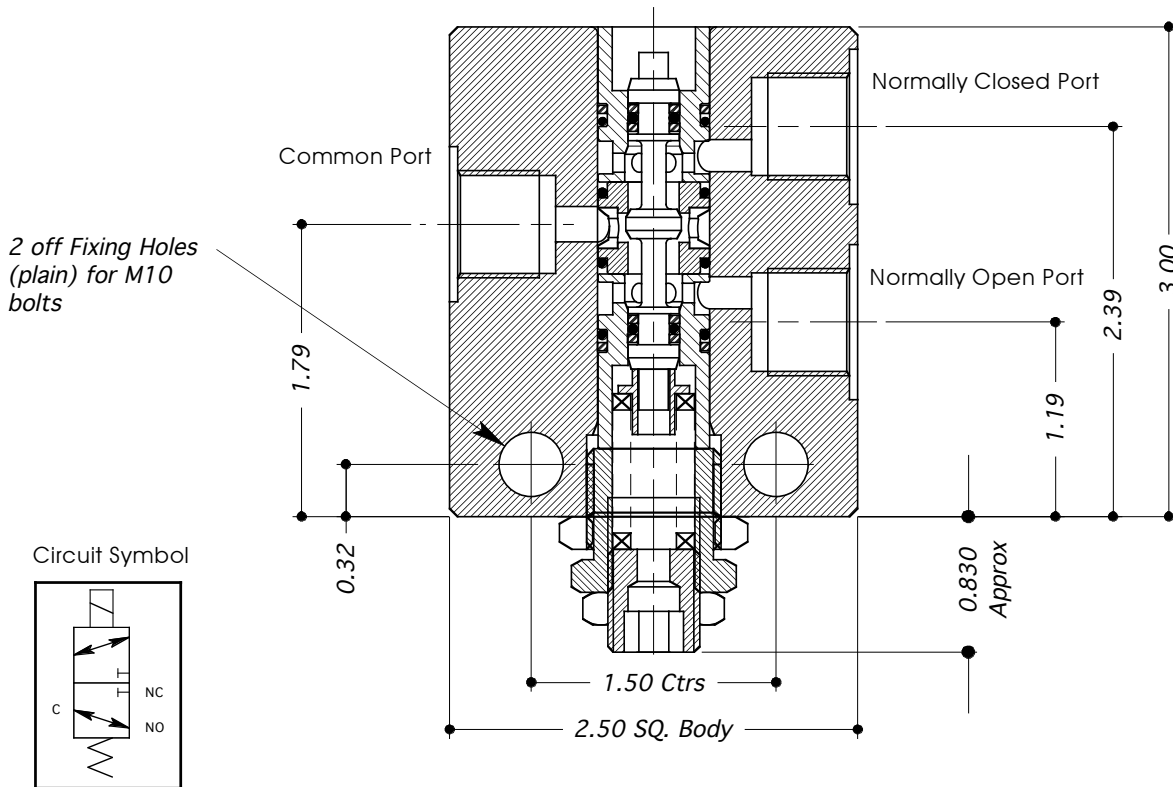


# DIRECT SOLENOID VALVE TYPE: 2/3DS37



- 2 POSN / 3 PORTED STAINLESS STEEL (316 / 1.4404) VALVE WITH SOLENOID OPTIONS.
- SUITABLE FOR LIQUID OR GAS USE.
- FITTED WITH "SOFT" SEATS.
- SOLENOID ACTUATION TYPE - SEE SECTION 12 FOR DETAILS.
- ALL DIMENSIONS IN INCHES.



TECHNICAL SPECIFICATION		ORDERING EXAMPLE
Valve Type:	<b>2/3DS37</b>	<b>2/3DS37</b>
Porting / Connection Options:	<b>P</b> = BSP (Parallel) <b>N</b> = NPT (Taper) <b>M</b> = Manifold	<b>P</b>
Soft Seated Valve:	<b>G</b>	<b>G</b>
Solenoid Thruster Options:	<b>HC</b> = (DIN connector) <b>KC</b> = (Kopex fitting) <b>STEX1</b> = (EExd)	<b>KC</b>
Max. Working Press: Liquid/Gas	<b>6K psi / 3,5K psi</b>	<b>6K</b>
Voltage Rating:	Check Voltage Rating availability in Section 12 (example given *)	<b>24V D.C. *</b>
Port Size:	3/8"	
Valve Seat Mat'l: Liquid/Gas	Peek	
Seal Material:	Viton (other materials available by request)	
CV Value:	0.26	
Dry Weight: (kg)	2.00	
Working Temp Range:	fitted with HC, KC	-10°C to +80°C
	fitted with STEX1	T5 = -10°C to +40°C    T4 = -10°C to +60°C